

# Komatsu New AC 3.0 ton Electric Truck

*Komatsu's new 3.0 ton AC powered electric truck joins the BE30 Series. This multi-featured electric truck meets the needs of every customer. Complying with ISO 3691 regulation for safety, traveling & hydraulic OPS is standard equipped for increased safety and reliability. Komatsu's original new 3.0 ton AC powered electric truck combines powerful operation with high performance resulting in increased productivity.*



## Powerful AC Drive Motor

Increased operating time (6% more than the previous model). Lower maintenance cost (No brush and contactor replacements needed).

## High reliability controller

Komatsu controller exclusively designed and developed for maximum efficiency and reliability. Common control circuit already proven in the market on 2.0-2.5 ton trucks.

## IMS (Intelligent Monitoring System)

IMS performance characteristics can be set individually, custom-tailored to meet your specific needs.

### Performance setting categories

- Travel power
- Plugging settings
- Brake settings
- Soft start settings
- Accelerator settings
- Accelerator release brake settings
- Downslope settings
- Travel speed limit
- Speed alarm
- Odometer



**Intelligent Monitoring System**

## Safety design

Traveling & hydraulic OPS is equipped as standard (ISO3691).

## Comfortable design

Lower overhead guard design makes it possible to work inside an 8'6" container. Large assist grip, open step, and lower floor designed for easy access to operator's seat.

## Lower noise level

Lower travel noise level (rated top-class in AC 3.0 ton truck market).

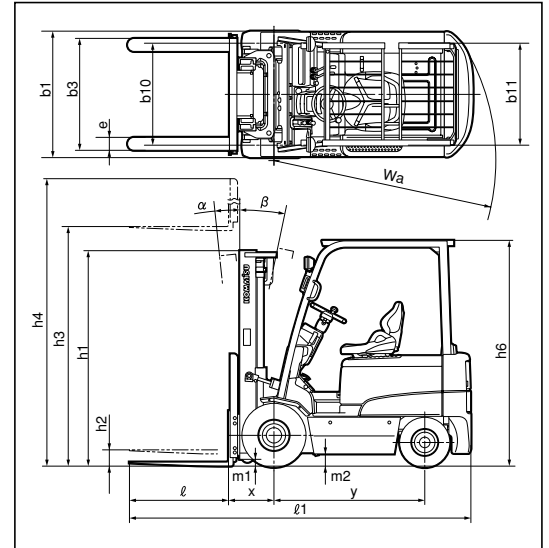
## Superior water resistance

The BE30 Series truck features a layout designed to prevent water from reaching critical parts. Connectors and switches are drip-proof with main controller components housed in a casing for maximum protection.

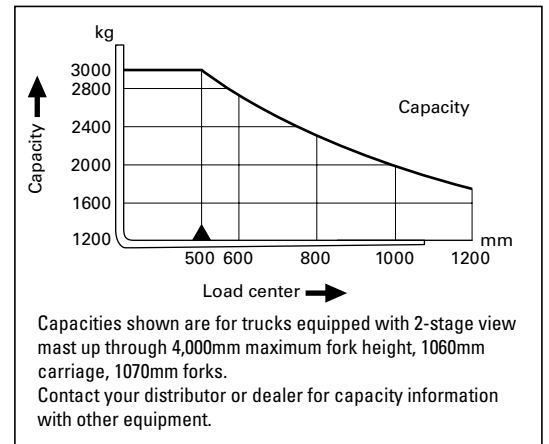
## Specifications

Characteristics	1.2	Model	Manufacturer's Designation		<b>FB30-11</b>	
	1.3	Power Type	Electric, Diesel, Gasoline, LPG, cable		Electric	
	1.4	Operation Type	Pedestrian, Driver standing, Sitting, Order picking		Sitting	
	1.5	Rated Capacity	Q	Rated Capacity	kg	3000
	1.6	Load Center	c	Rated Load Center	mm	500
	1.6.1	Alternative Capacity	Q2	Capacity @600mm Load Center	kg	2720
	1.8	Load Distance	x	Front Axle Center to Fork Face	mm	480
	1.9	Wheelbase	y		mm	1600
	Weight	2.1	Service Weight	Including Min. Capacity Battery, See line 6.5		kg
2.2		Axle Loading	Loaded	Front	kg	2950
2.2.1			Rear	kg	1060	
2.3			Unloaded	Front	kg	2140
2.3.1			Rear	kg	2950	
Tyre	3.1	Tyre Type	Cushion, Elastic Cushion, Pneumatic, Polyurethane		Pneumatic	
	3.2	Tyre Size	Front	28x9-15-14PR(I)		
	3.3		Rear	21x8-9-10PR(I)		
	3.5	Number of Wheel	Front/Rear(x=drive)		2x/2	
	3.6	Tread, Front	b10		mm	1005
	3.7	Tread, Rear	b11		mm	970
Basic Measurement	4.1	Tilting Angle	$\alpha / \beta$	Forward/Backward	degree	6/10
	4.2	Mast Height, Lowered	h1	2-stage Std. Mast	mm	2015
	4.3	Std. Free Lift	h2	2-stage Std. Mast from Ground	mm	155
	4.4	Std. Lift Height	h3	2-stage Std. Mast from Ground	mm	3000
	4.5	Mast Height, extended	h4	2-stage Std. Mast	mm	4280
	4.7	Height, Overhead Guard	h6		mm	2215
	4.19	Length, with Std. Forks	$\ell 1$		mm	3590
	4.20	Length, to Fork Face	$\ell 2$		mm	2520
	4.21	Width, at Tyre	b1	Single	mm	1235
	4.22	Forks	s/e/ $\ell$	Thickness/Width/Length	mm	44x122x1070
	4.23	Fork Carriage Class	ISO 2328, Type A/B/no		Class III, Type A	
	4.24	Width, Fork Carriage	b3		mm	1060
	4.31	Ground Clearance	m1	Under Mast	mm	135
	4.32		m2	at Center of Wheelbase	mm	135
	4.33	Right Angle Stacking Aisle	Ast	with L1000xW1200 pallet	mm	3695
4.34	Ast		with L1200xW800 pallet	mm	3895	
4.35	Turning Radius	Wa		mm	2215	
Performance	5.1	Travel speed(FWD)	Loaded/Unloaded	km/h	12.0/14.0	
	5.2	Lifting Speed	Loaded/Unloaded	mm/s	260/460	
	5.3	Lowering Speed	Loaded/Unloaded	mm/s	400/450	
	5.6	Max. Drawbar Pull	Loaded, 3min. rating	N	15000	
	5.8	Max. Gradeability	Loaded, 3min. rating/1.5km/h	%	16	
	5.10	Service Brake	Operation/Control		Foot/Hydraulic	
	5.10.1	Parking Brake	Operation/Control		Hand/Mechanical	
	5.10.2	Steering	Type		EPS	
	Drive	6.1	Drive Motor	60 min. rating	kW	9.7
		6.2	Pump Motor	5 min. rating	kW	12.6
6.2.1		PS Motor	60 min. rating	kW	0.6	
6.4		Battery Voltage		V	72	
6.4.1		Battery Capacity, Min.		Ah/5hr	450	
6.4.2		Battery Capacity, Max.		Ah/5hr	545	
6.5		Battery Weight	Min.Capacity Battery, See line 6.4.1		kg	1500
Others	8.1	Drive Motor Control			MOSFET inverter	
	8.2	Relief Pressure for Attachment		bar	177	
	8.2.1	Reservoir Capacity		Ltr	30	

## Dimension



## Capacity chart



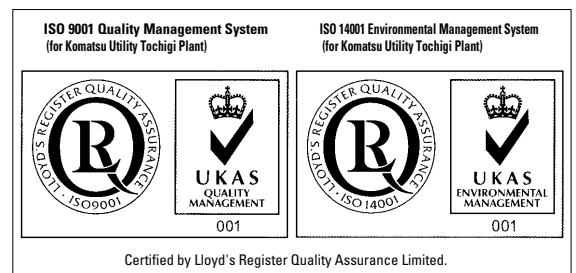
## Standard Equipment

- 2-stage free view mast (3m Lifting High) •Load backrest
- Over Headguard
- IMS (Intelligent Monitoring System)  
Hourmeter / Speedometer  
Battery discharge indicator / Self diagnosis
- HSS II seat with seat belt •Stow pocket & memo binder
- Floor mat •Drawbar pin •Telescopic-tiltable steering column
- Electric horn •Head lights •Turn signal lamps
- Rear combination lamps
- Traveling/Lifting Operator Presence Sensing (OPS) system (ISO 3691)

## Options

- Battery and charger •Back-up buzzer •Elastic cushion tyre
- Rear view mirror •Rear working light

For other options and attachments, please consult with your Komatsu dealer. Features and specifications may vary in different countries and regions. Please contact your Komatsu dealer to confirm machine details in your region. Forklift trucks in this catalog may be shown with optional equipment. Komatsu products and specifications are subject to change without notice. The performance values indicated herein represent nominal values obtained under typical operating conditions.



## Komatsu Utility Co., Ltd. FORKLIFT COMPANY

Head office: 2-4-1, Shiba-koen, Minato-ku, Tokyo 105-0011, Japan

URL: <http://www.komatsu-utility.com>

Fax: +81-3-3433-3120